



Installation and Operating Instructions

Alpha Electric Flat Plate BBQ model

IMPORTANT: READ THIS DOCUMENT THOROUGHLY BEFORE USING YOUR SOVEREIGN BBQ.

IMPORTANT: REMOVE ALL PACKING MATERIAL AND LITERATURE FROM YOUR BBQ BEFORE USE.

Thank you and congratulations for choosing a quality Sovereign BBQ for all your cooking and entertainment needs.

By following these instructions for safe and easy operation, you will enjoy years of satisfying, trouble free cooking.

SAFETY

- 1) Read all instructions carefully before operating.
- 2) This BBQ requires a protected electrical supply of 220 -240 Volts AC.
- 3) To protect against electrical shock, do not immerse the temperature controller, plug or lead in water or other liquids.
- 4) Do not operate BBQ if the plug or lead is damaged or malfunctions. Return the product to your nearest authorised service facility for inspection or repair.
- 5) Do not touch hot surfaces, use protective gloves and/or handles instead.
- 6) Do not transport the BBQ whilst hot, or when it contains hot oil or other hot liquids.
- 7) Always insert the temperature controller into the BBQ first, then plug the lead into the power supply outlet. To disconnect, turn the temperature control device to the "min/off" position, then remove the plug and lead from the power supply outlet. Remove by grasping the plug itself – do not pull the cord.
- 8) Any modification of the BBQ, temperature controller or lead may be dangerous. Do not attempt any such modifications.
- 9) Remove temperature controller when not in use to prevent contact with water.
- 10) Attach weather cap when controller is removed.
- 11) When in use, open the BBQ lid with the handle only. Surfaces will become hot, therefore use caution at all times.
- 12) Close supervision is necessary when the BBQ is used by or near children. Do not leave children unattended whilst the appliance is in use.

Sovereign BBQs & Grills Australia
Ph: (+617) 5644 1230 • Fax: (+617) 5519 3529
Web: www.sovereignbbqs.com • Email: sales@sovereignbbqs.com

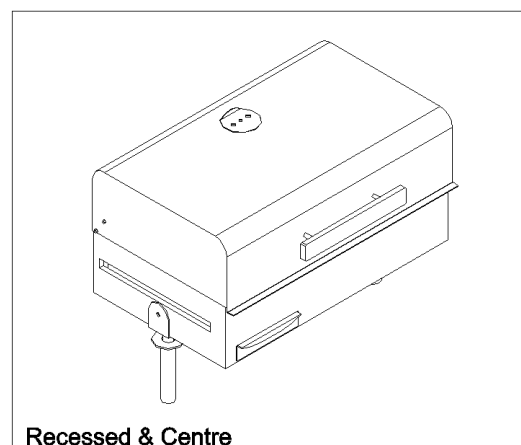
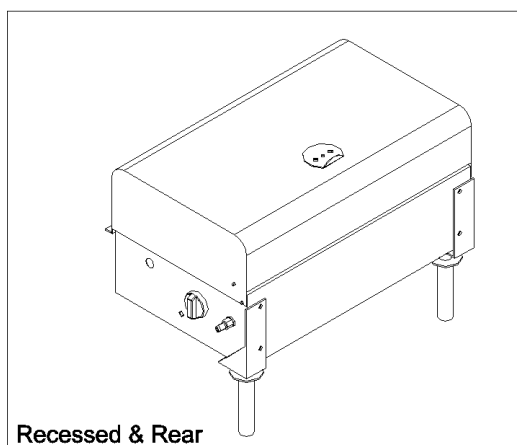
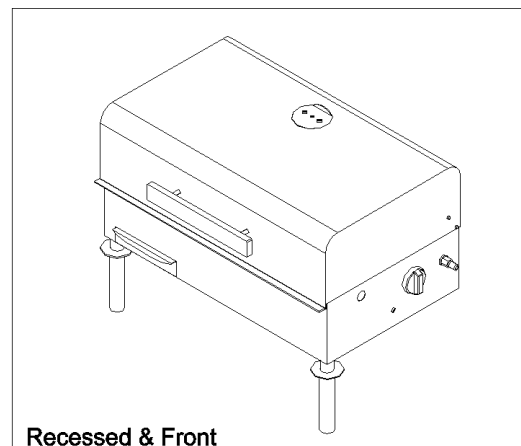
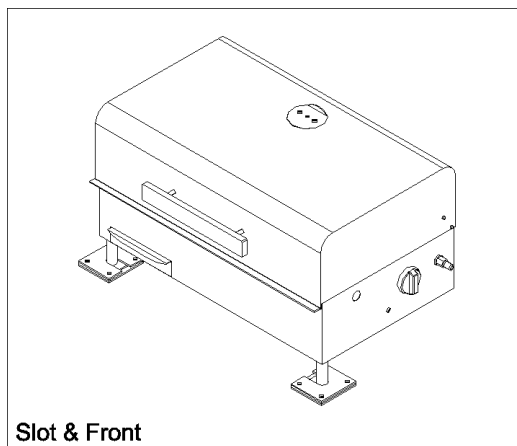
INSTALLATION

Choosing a Location

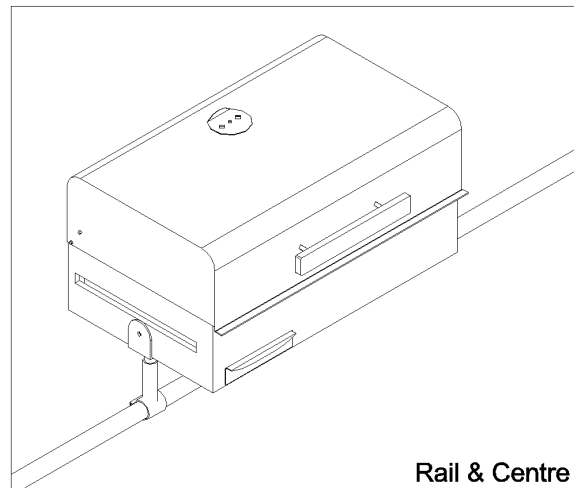
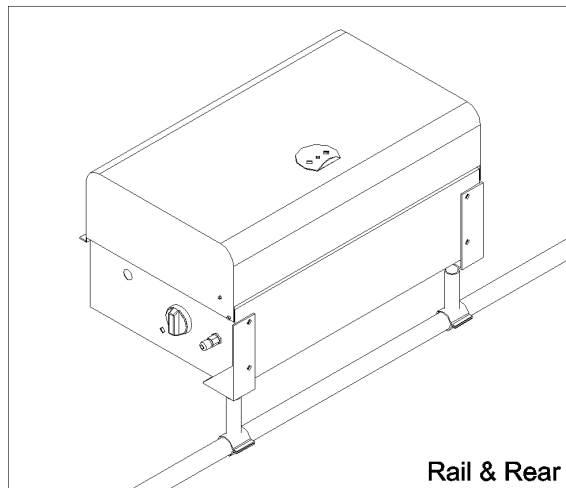
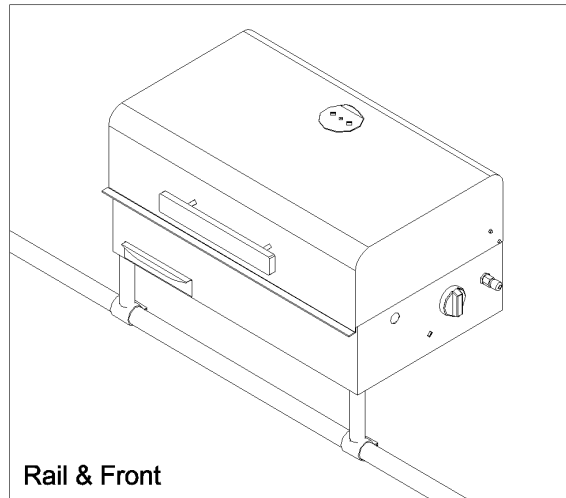
This BBQ should be placed in a well ventilated area. Take care to ensure that it is not placed UNDER or ABOVE any combustibile surfaces. The sides of the BBQ should NEVER be closer than the following: minimum recommended distances from combustibile materials - 100mm sides, 200mm front & rear, 50mm bottom, 1200mm above. Keep this BBQ away from flammable materials.

Mounting Options

Your Sovereign BBQ can be mounted from the front, centre or rear using either standard or custom made fittings to suit your nominated installation location. As outlined above, Sovereign BBQs manufacture a range of standard mounting options for both rail and deck mounting marine installations. Some of these fittings may also be of use in other applications (such as at home). These can be purchased with your chosen BBQ. They are as follows;



Sovereign BBQs & Grills Australia
Ph: (+617) 5644 1230 • Fax: (+617) 5519 3529
Web: www.sovereignbbqs.com • Email: sales@sovereignbbqs.com



All front mounting options (whether rail or deck orientated) locate/slide into a dedicated recess at the front two (2) corners of your chosen Sovereign BBQ model (140mm in depth). **For installation purposes, the front mounting centres for the Alpha Model is 523mm.** As for the standard centre and rear mounting options, they attach to your chosen Sovereign BBQ model via standard reinforced M10 (metric 10mm) threads located at the rear (two each side, installed vertically, making four threads in total across the back of your BBQ) and middle sides (one each side). The M10 threads are therefore also suitable for attaching custom made support/mounting brackets to suit any specific location/installation you may have.

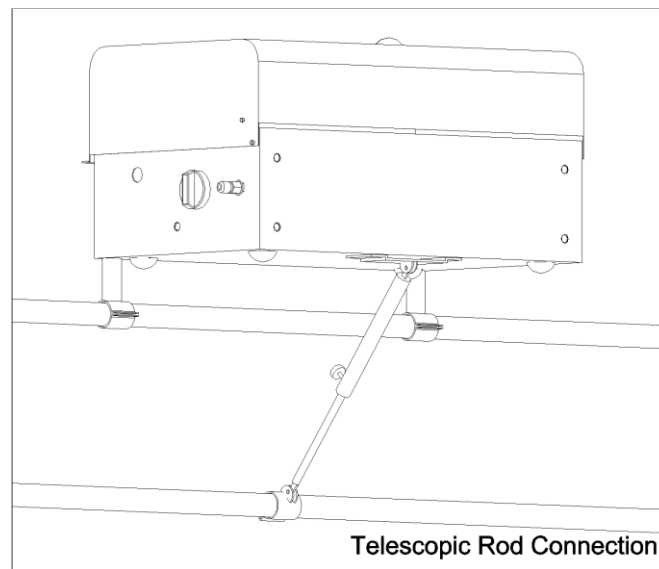
Sovereign BBQs recommends that the installation position of your BBQ is both plumb and level (or at least as close as possible). This can be achieved in various ways including; levelling the standard mounting fittings when installed on a deck surface, trimming one of the two mounting options (one side) to correct any fall to one particular side, and or having your mounts (front, centre and rear) bent (in a machine) to correct any significant fall (based upon the unlevel surface to which the BBQ has to be installed upon, to meet your usage requirements). If in doubt, please do not hesitate to contact Sovereign BBQs for any technical assistance.

Sovereign BBQs & Grills Australia
 Ph: (+617) 5644 1230 • Fax: (+617) 5519 3529
 Web: www.sovereignbbqs.com • Email: sales@sovereignbbqs.com

Mounting Options (Cont.....)

It is important to ensure that your chosen mounting position/location can comfortably sustain the weight of the BBQ (especially in the case of rail mounting your BBQ). If in doubt, Sovereign BBQs recommend supporting/bracing the BBQ with a Telescopic Rod. (Sovereign BBQs manufacture a standard adjustable length Telescopic Rod to suit most applications, or you can have a custom made brace manufactured to suit your specific requirements).

You will note that on the underside of all Sovereign BBQs, towards the rear, a telescopic rod attachment point is provided to allow attachment of the telescopic rod (standard or custom) without any holes or penetrations needing to be made to the sealed bottom base compartment of your BBQ. To ensure the base compartment of the BBQ remains fully sealed (as designed), please use the attachment point for any telescopic rod connection.



Power Supply Information

Your Sovereign BBQ is intended for connection to a 220 – 240 volt AC power supply. A protected electrical circuit (fitted with an earth leakage safety switch) is required when using the appliance. Ensure the power supply outlet is sufficiently sized for the appliance – the element is rated at 10 Amps / 2400Watts.

General Precautions

Do not obstruct any of the ventilation openings in your Sovereign BBQ body.

Your appliance is designed and manufactured complete with a BBQ plate retaining/locking screw for safe operation and portability. For your reference, the plate retaining screw is located via a clearance hole on the opposite end (left hand end) of the BBQ to the temperature controller. A star head type screwdriver is required to wind in the screw (to the locked position) or wind it out (to the unlocked position) as required. Your appliance is intended to be supplied with the BBQ plate in the locked position.

Sovereign BBQs & Grills Australia
Ph: (+617) 5644 1230 • Fax: (+617) 5519 3529
Web: www.sovereignbbqs.com • Email: sales@sovereignbbqs.com

General Precautions (Cont.....)

Other than the removal of the BBQ plate for cleaning, the plate retaining screw must be locked for safe operation of the appliance. Prior to using your BBQ, and before you have turned on the appliance, test that the plate retaining screw is in (that being locked) by attempting to lift the left hand end of the BBQ plate (it should not be able to be removed should the screw be locked). Please note the plate retaining screw cannot be completely wound out from the BBQ – it travels within the two skins of the appliance. Always have the plate retaining screw either completely locked or unlocked (eg all the way in, or, all the way out - for ease of removal of the BBQ plate).

When disconnecting the BBQ from the power supply outlet, confirm that the temperature controller is first turned to the 'off/min' position, then switch off at the power supply outlet thereafter disconnecting the plug and lead. Be sure to allow time for the temperature controller to cool before removing it from the appliance – it will become very hot during normal operation of the BBQ.

Be sure to inspect the temperature controller plug and lead on each occasion the BBQ is used to ensure it is free of damage and safe to use. Apart from the temperature controller connection point, no part of the lead should touch any parts of the BBQ.

If the plug and or lead is damaged, it must be replaced with an approved Sovereign BBQs temperature controller. Please note that the supplied temperature controller is uniquely engineered to suit this appliance and should not be replaced with any other controller model despite if they are similar in appearance. Should you require a replacement, contact Sovereign BBQs or your closest service agent immediately.

Do not store the BBQ in a damp area (such as a lazarette or similar storage compartment) which is not well ventilated. A hot, steamy and humid environment may lead to corrosion on the element ends. Be sure to keep the element end cap fitted at all times when temperature controller is not plugged in to the appliance.

OPERATING YOUR SOVEREIGN BBQ

Operating Precautions

Before operation, ensure the BBQ plate retaining screw is securely locked (that being screwed in). Do not obstruct any of the ventilation openings in your Sovereign BBQ body. Ensure that the power lead and temperature controller have no signs of damage, and are not touching the BBQ other than at the point where the temperature controller is inserted into the appliance. Only connect the appliance to an electrical supply of 220 - 250 volts AC, suitably protected with an earth leakage safety switch, first checking that the temperature control device is in the 'min/off' position.

Temperature Controller Insertion

Your appliance is supplied with a removable temperature controller, enabling the controller to be stored in a dry environment when the appliance is not in use. The temperature controller inserts into the appliance via a sleeve on the right hand end (which elliptical shape mirrors the shape of the temperature controller once properly inserted into the sleeve when ready for operation). Correctly installed, the temperature adjustment dial on the controller will face upwards (eg at the operator of the appliance when standing). The temperature controller features a centreline stainless steel pin, which acts as a thermostat to assist in controlling the plate temperature of your BBQ while cooking. The stainless steel pin first locates into a

Sovereign BBQs & Grills Australia
Ph: (+617) 5644 1230 • Fax: (+617) 5519 3529
Web: www.sovereignbbqs.com • Email: sales@sovereignbbqs.com

dedicated directional tube within the sleeve as attached to the BBQ plate, and then into a cavity within the re-enforcing rib on the underside of the BBQ plate. To permit the temperature **Temperature Controller Insertion (Cont.....)**

controller to be inserted into the BBQ plate, the stainless steel pin must first be aligned into the directional tube within the sleeve. To achieve this, the stainless steel pin should be inserted flat and level, centred both vertically and horizontally across the sleeve face. As required, visually inspect the sleeve arrangement on the BBQ plate prior to inserting the temperature controller to best understand the above arrangement.

At such time as the stainless steel pin has located into the directional tube, the two (2) element ends will soon make contact with the temperature controller. Conversely to the stainless steel pin on the temperature controller itself, the element ends must insert back into each side of the temperature controller for the appliance to operate (again, be sure to inspect both the sleeve arrangement and temperature controller itself to best understand how this works prior to using the appliance). At such time as the element ends meet the temperature controller, as required to insert the temperature controller further, proceed to gently but firmly "wriggle" the controller in/across the horizontal plain (towards and away from you when standing in front of the appliance) to assist with the further insertion of the element ends into the temperature controller. As the element ends slide into the temperature controller, the controller is then able to slide further into the sleeve (by approx another 6mm). As above, inserting the temperature controller may require some firm but not excessive use of force. When standing in front of the appliance, use your left hand to support the appliance while simultaneously applying force with your right hand to insert the temperature controller into the appliance. Likewise, a similar use of force including firmly "wriggling" the controller in/across the horizontal plain (towards and away from you when standing in front of the appliance, while at all times keeping the controller horizontal) while pulling the temperature controller out of the appliance is required. Please note however once the element ends detach from inside the temperature controller, the load will quickly release making the removable process much easier. Please therefore use caution as the temperature controller will quickly become easy to remove at this point.

Operation

To operate, simply adjust the temperature control knob to the desired cooking level (1 being the coolest or min setting, with 10 being the hottest or max setting). When the element is in operation and providing heat to the BBQ plate, an orange light will illuminate on the top surface of the temperature controller. For optimal performance of your appliance, we recommend pre-heating your BBQ for a period of time prior to cooking. If cooking with the lid closed, use a lower temperature. Use extreme caution when cooking on a high setting with the lid closed for extended periods as the appliances' surfaces will become extremely hot. After you have finished cooking with the BBQ, turn the temperature controller to the 'min/off' position, switch off at the power supply outlet and then disconnect the plug and lead.

1. Turn the temperature controller knob in a clockwise direction and set to the desired heat.
2. For optimal performance, Sovereign BBQs recommends pre-heating your appliance for a short period.

Optimum Cooking Temperatures

WARNING: The BBQ will reach much greater temperatures with the lid closed. Cooking time is therefore a lot quicker when cooking with the lid closed. Prolonged periods of excessive temperatures will cause extremely hot surfaces on your appliance. Generally a low to medium temperature setting is optimum for cooking in normal conditions.

Sovereign BBQs & Grills Australia
Ph: (+617) 5644 1230 • Fax: (+617) 5519 3529
Web: www.sovereignbbqs.com • Email: sales@sovereignbbqs.com

WARNINGS

1. The outer shell of your BBQ will get hot during cooking.
2. Do not touch your BBQ during cooking, or after cooking, while the appliance is still hot.
3. The use of protective gloves is recommended when cooking or handling parts of your BBQ that are hot or in use.
4. Children should be supervised at all times around your BBQ.
5. Do not leave your BBQ unattended while in use.
6. Do not place combustible materials near your BBQ.

TO TURN OFF

After you have finished cooking with the BBQ, turn the temperature controller to the 'min/off' position, switch off at the power supply outlet and then disconnect the plug and lead. Allow a suitable cooling period after using the appliance before attempting to remove the temperature controller from the appliance and begin cleaning. Do not remove the controller in any instance during or directly after use. Once cooled, remove temperature controller and store in a dry place. Always attach weather cap once the temperature controller is removed to avoid water intrusion.

1. Turn the temperature controller to the 'min/off' position.
2. Switch off at the power supply outlet.
3. Disconnect the plug and lead from the power supply outlet.
4. After sufficient cooling period, remove temperature controller and store in a dry environment.
5. Attach weather cap to appliance once temperature controller is removed.

AFTER USE - CLEANING & MAINTENANCE

It is recommended that the BBQ plate be cleaned and the fat tray be emptied on a regular basis.

BBQ Plate

Do not clean your BBQ while hot. Ensure the plate retaining screw has been unwound (screwed out) before attempting to remove the BBQ plate. Your BBQ plate can be easily removed using the handles on each side (as per the below images). Do not submerge the BBQ plate in water or other liquids. Ensure that the element is not immersed in water and the temperature controller is kept dry.

BBQ Plate Removal Procedure

First unwind the plate retaining screw. Once sufficiently cooled, remove the temperature controller. Facing the appliance (as if you were cooking), with both hands available, first lift the left hand end of the BBQ plate approximately 75mm straight up. Slowly continue to lift the left hand end of the BBQ plate, and now using your right hand to support the right hand end of the BBQ plate, the entire BBQ plate can be slowly pulled out and off to the left while keeping the left hand end of the BBQ plate approximately 75mm higher than the right hand end. As the plate removal process occurs, the sleeve on the right hand end of the BBQ plate will slide out of the opening in the side of the BBQ body. As above, be sure to support the weight of the right hand end of the BBQ plate throughout this process. To reinsert, follow the above procedure in reverse. Careful handling of the BBQ plate is required to ensure safe removal and re-insertion as required for cleaning and maintenance.

Sovereign BBQs & Grills Australia
Ph: (+617) 5644 1230 • Fax: (+617) 5519 3529
Web: www.sovereignbbqs.com • Email: sales@sovereignbbqs.com

Please refer to the following photos for further information.
BBQ Plate Removal Procedure (Cont.....)



Element

WARNING: Allow sufficient cooling period after use as the element heats to extreme temperatures that can cause severe injury and burns. Never use the BBQ plate, or insert the temperature controller into the BBQ plate, whilst the BBQ plate itself is not inserted and locked into the BBQ. Do not submerge the element in water or other liquids at any time. If cleaning is required, use a lightly damp cloth and carefully clean around the element. Do not disconnect, remove or modify the element in any circumstance. We recommend a very small application of Inox (or a similar anti corrosion lubricant) on the element terminal ends on a periodical basis (every 6 months).

Sovereign BBQs & Grills Australia
Ph: (+617) 5644 1230 • Fax: (+617) 5519 3529
Web: www.sovereignbbqs.com • Email: sales@sovereignbbqs.com

Fat Tray

WARNING: Cleaning the fat tray after every use reduces the possibility of a 'fat fire' in the fat tray. Allow very sufficient cooling period before cleaning. The only recommended lining for the fat tray is aluminium foil.

Recommended Cleaning Solutions

Clean the inside and outside of your BBQ with warm soapy water as required. A stainless steel polish (such as "3M stainless steel cleaner and polish") should be used at regular intervals to protect and shine the outer casing. Cleaning your BBQ after each use will diminish the burden of removing stubborn build ups or deposits.

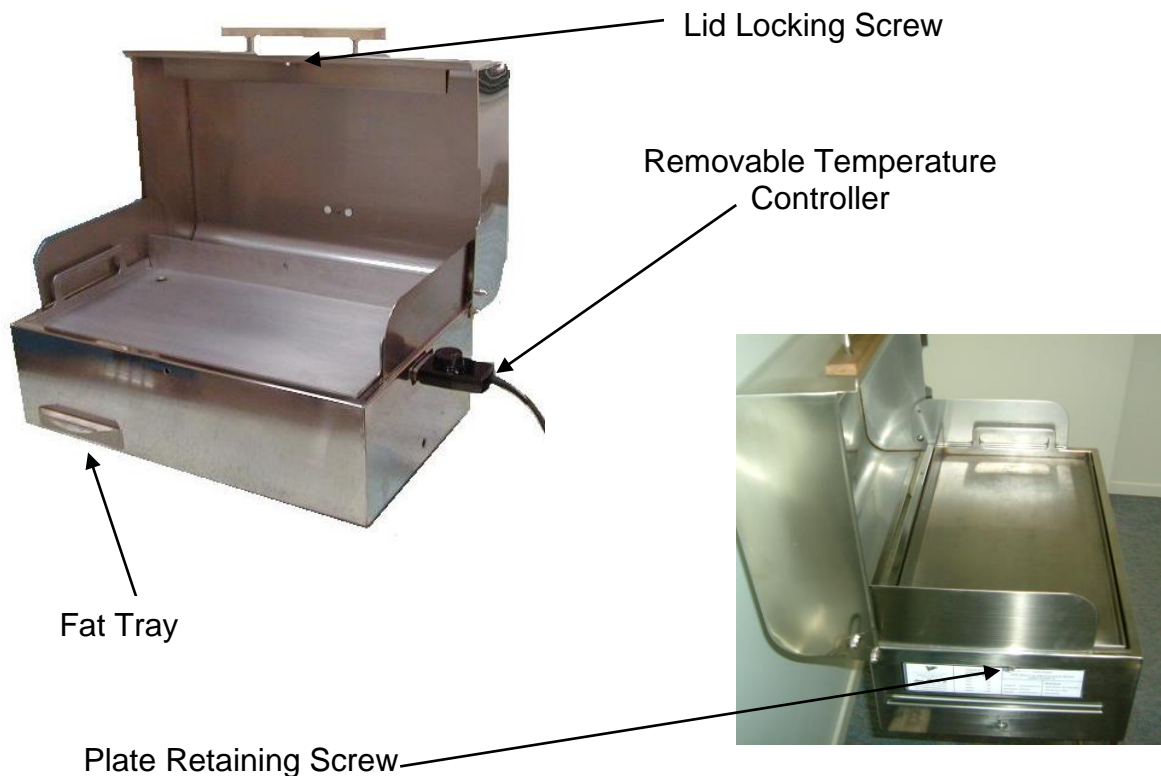
NEVER use abrasive materials (e.g. scouring pads) to clean the outside of your BBQ, this will scratch the appliance. A scouring pad may however be necessary to remove grease and build up on the BBQ Plate itself. Do not use caustic cleaners.

NEVER use steel wool, in addition to scratching it will also leave fragments that will rust.

Ancillary Service Information

Your BBQ should be serviced at 12 month intervals (or sooner as required) by an authorised technician to ensure its ongoing safe operation. Ensure all components are free from defects and general deterioration on a regular basis. Should you experience any operational difficulties or concerns, disconnect the appliance from the power supply outlet, then have your BBQ checked immediately by a qualified technician. Do not remove or modify any electrical components on this appliance in any way.

ALPHA ELECTRIC FLAT PLATE BBQ – OVERVIEW



Sovereign BBQs & Grills Australia
Ph: (+617) 5644 1230 • Fax: (+617) 5519 3529
Web: www.sovereignbbqs.com • Email: sales@sovereignbbqs.com

DISCLAIMER

The "Installation and Operating Instructions" are provided on the understanding that: Sovereign BBQs are not responsible for the results of any actions taken relying on the information in these instructions, or for any error in or omission from these instructions. Please also review the comprehensive "Disclaimer" documentation as included with this paperwork, as use of the appliance infers your consent to this notification.

Sovereign BBQs & Grills Australia
Ph: (+617) 5644 1230 • Fax: (+617) 5519 3529
Web: www.sovereignbbqs.com • Email: sales@sovereignbbqs.com